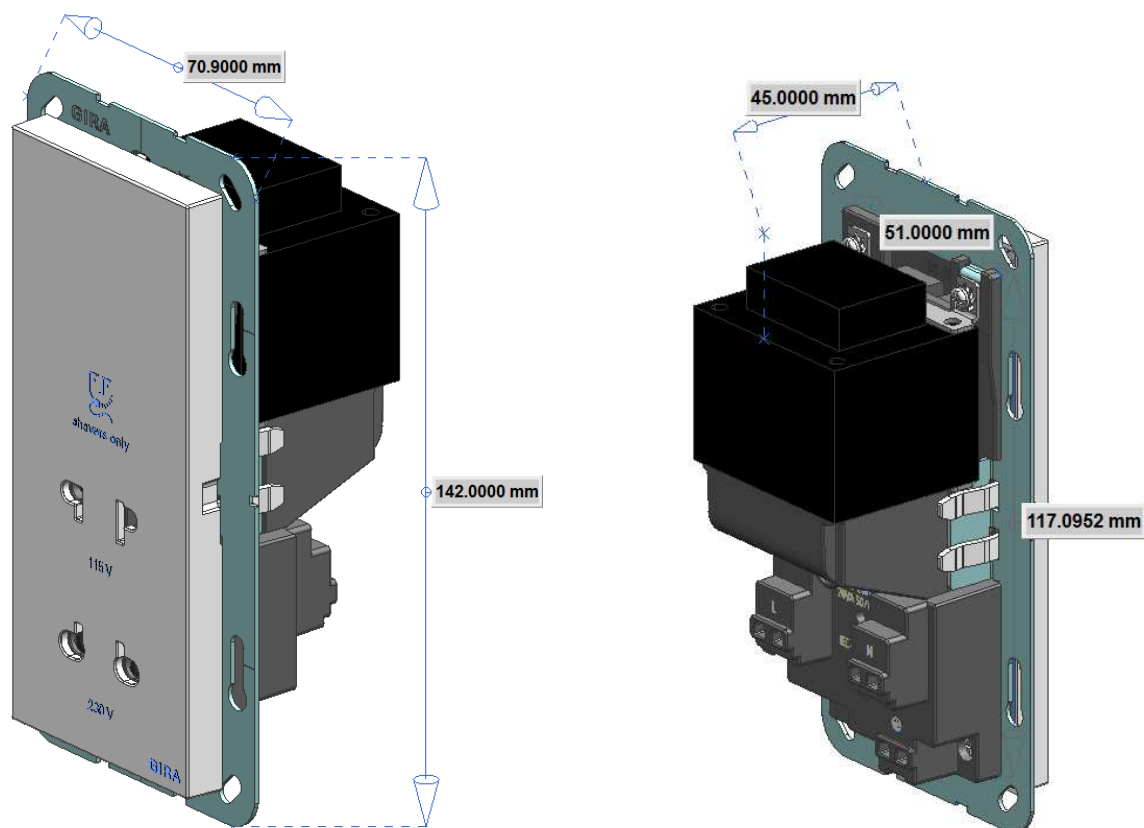


## 1. Dimensions



## 2. Plugholes



## 3. Terminals

L- / N- / Earth-Terminal: up to 2x 2,5mm<sup>2</sup> (flexible- / solid cord)

## 4. Electrical / Transformer

Input: AC 230-240V 50/60Hz

Output: AC 115V/230V 20VA